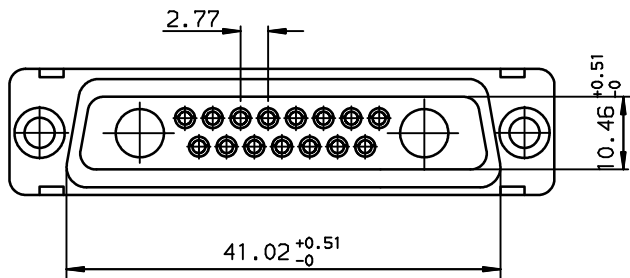
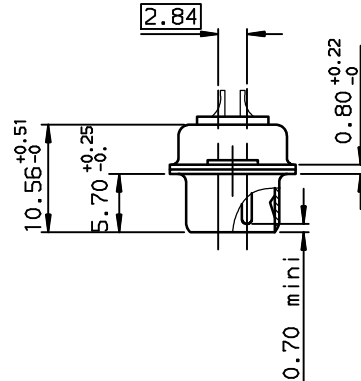
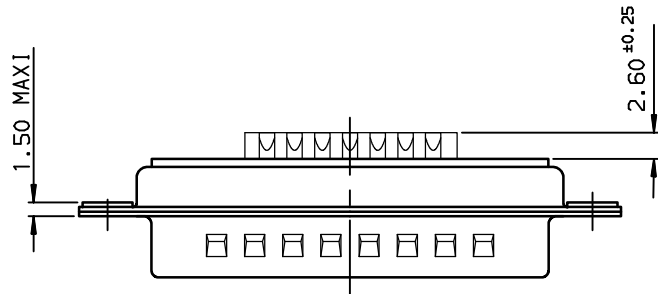
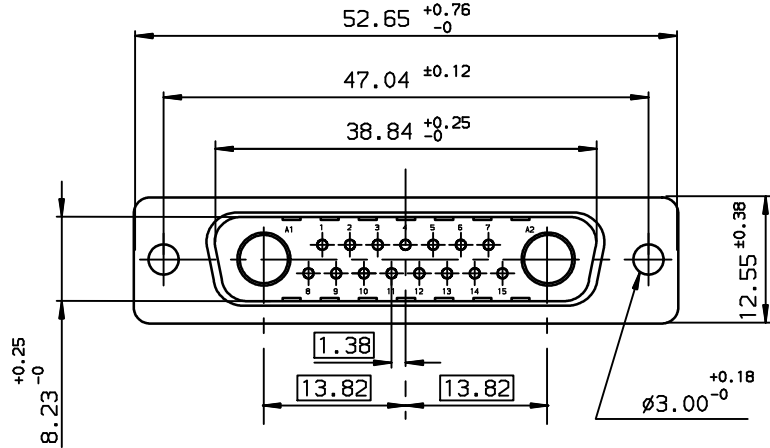




Copyright FCI.



TIN LEAD PART NUMBER

DB17W2PA00
PART NUMBER

LEAD FREE PART NUMBER

DB17W2PA00LF
PART NUMBER

GENERAL CHARACTERISTICS AND ROHS INFORMATIONS:
SEE DRAWING C01-8639-0003

European Views

rev	ecn no	dr	date
B	-	BAR	2003/10/20
C	LS05-005	MPE	2005/03/16
D	LS06-0095	LGO	2006/07/19
-	-	-	-
-	-	-	-
-	-	-	-
-	-	-	-

www.fciconnect.com		surface ISO 1302 ✓	tolerance std ISO 406 ISO 1101	projection mm
TOLERANCES UNLESS OTHERWISE SPECIFIED		ANGULAR	LINEAR	size A3
Dr	JARRY	1996/07/02	0.x ±0.1	Scale 2
Eng	PESSON	1996/07/02	0.xx ±0.1	ECN LS06-0095
Chr	LEGARE	1996/07/02	0.xxx ±0.1	Spec ref -
Appr	LEGARE	1996/07/02	Product family D-SUB	
FCI		title PIN CONNECTOR FOR POWERS CONTACTS		Rev. D
catalog no		-		0483 C01-8639-0483
		CUSTOMER		sheet 1 of 1

REV F - 2006-04-17